

Distributed by:

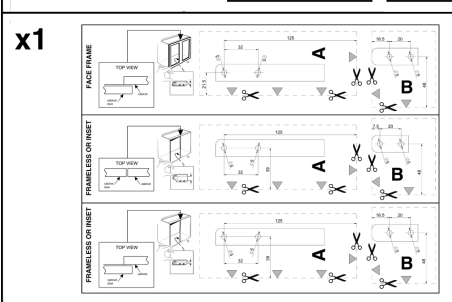
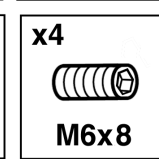
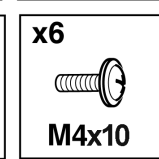
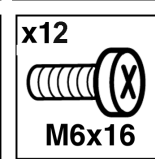
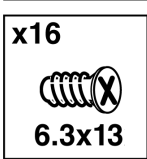
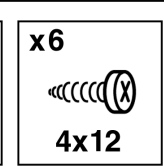
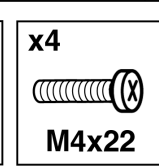
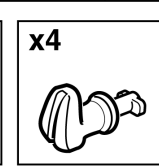
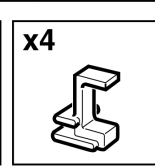
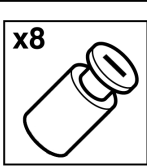
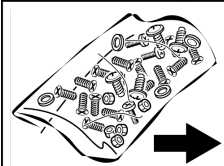
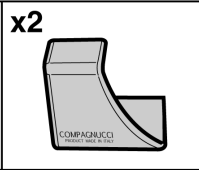
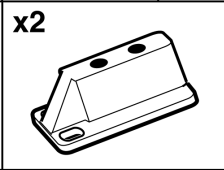
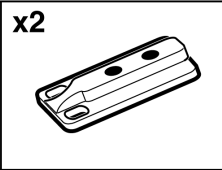
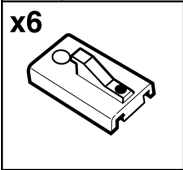
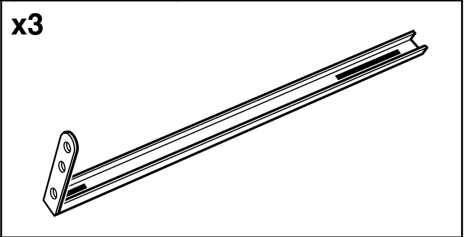
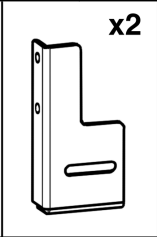
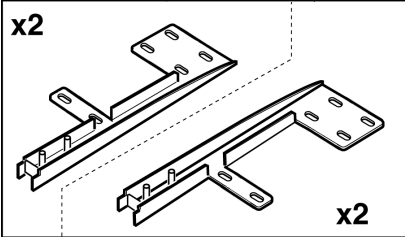
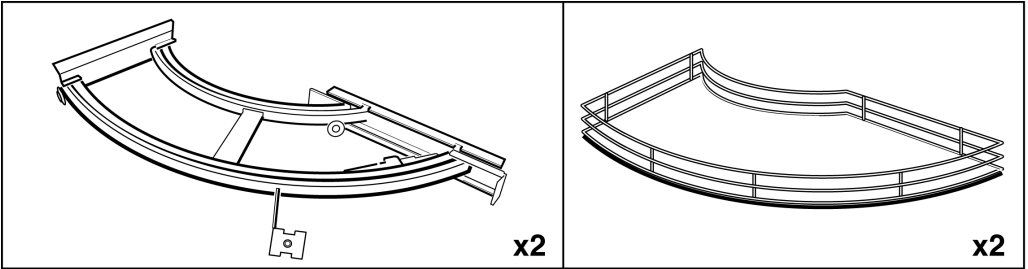


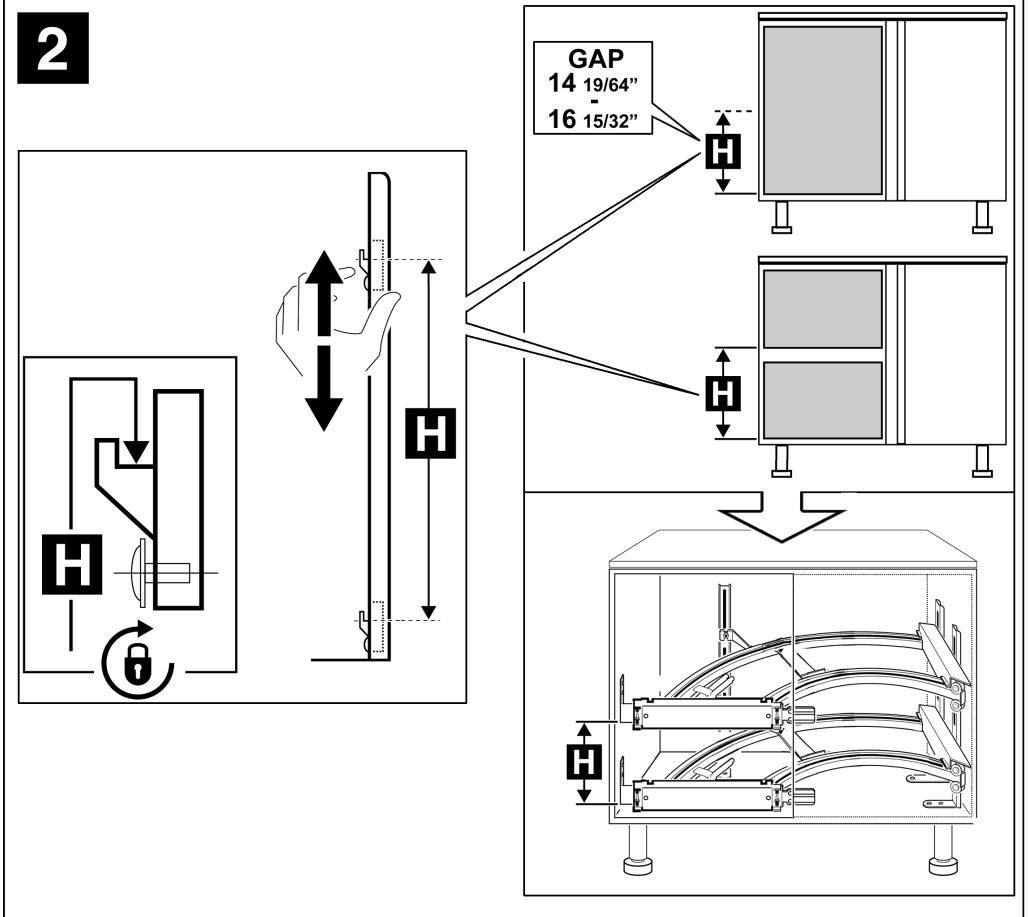
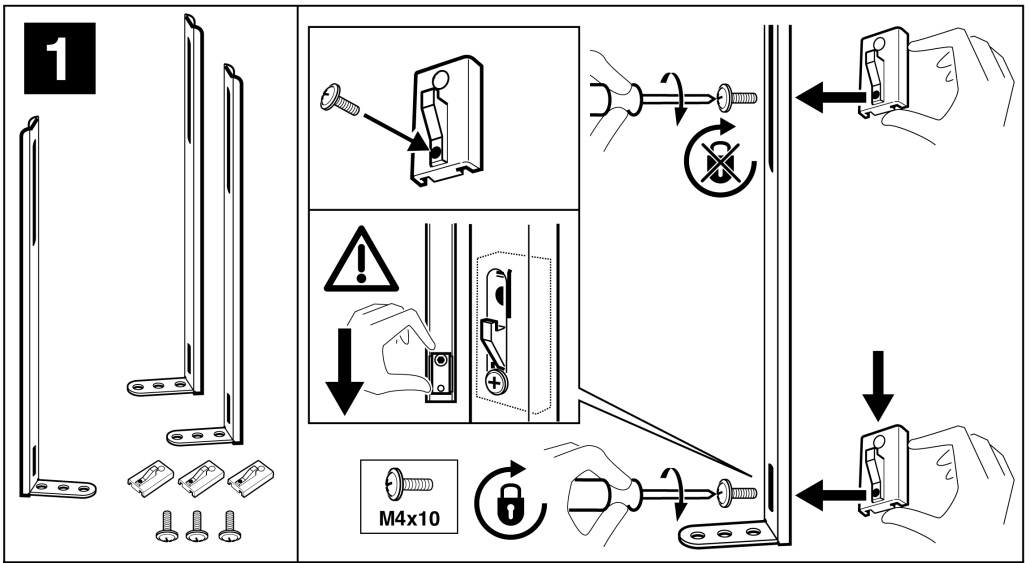
713.839.8586 Toll Free (800) 788.4450 · www.cabinethardware.com



2409 Plantside Drive
Jeffersontown, Kentucky 40299

Phone: 1-800-626-1126 (toll free)
www.rev-a-shelf.com

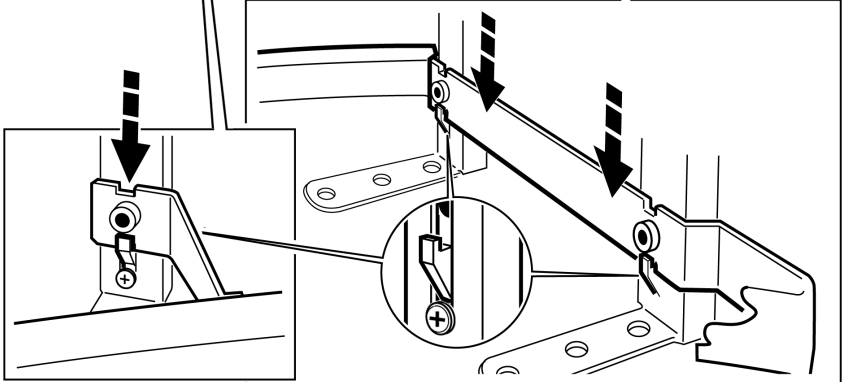




3

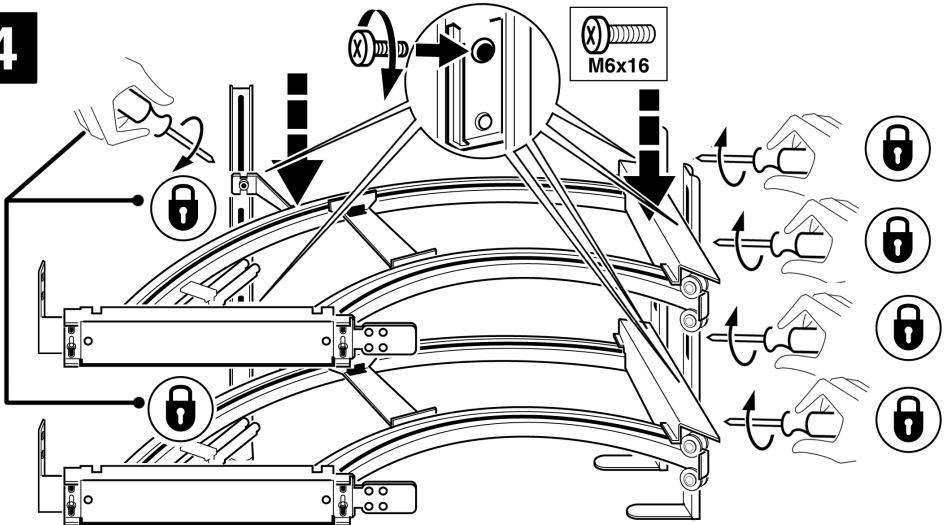
M6x16

GAP **L**
21 1/8" - 22 9/64"

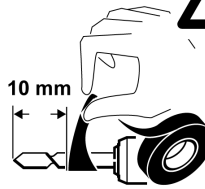
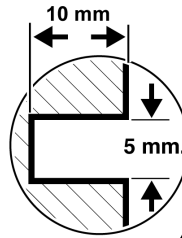
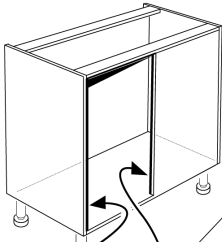


4

M6x16

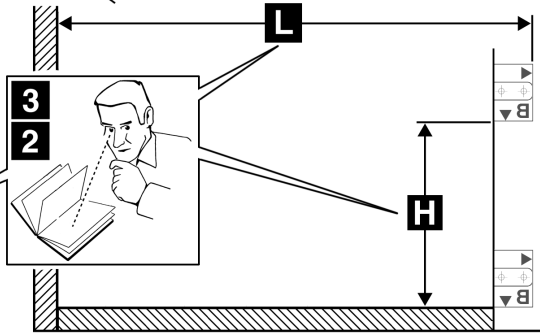
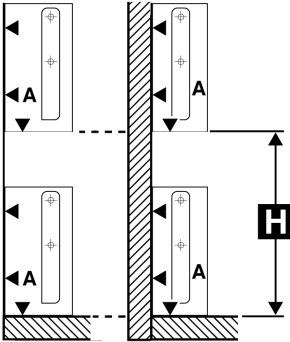


5

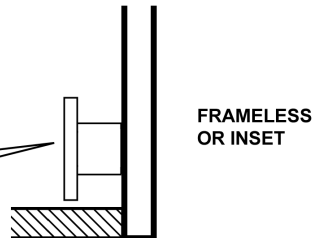
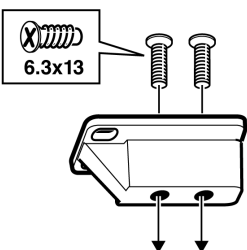
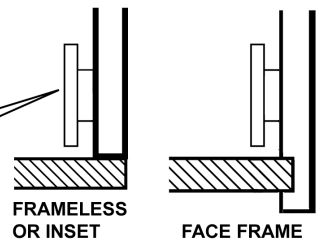
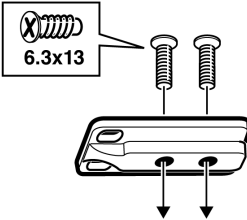
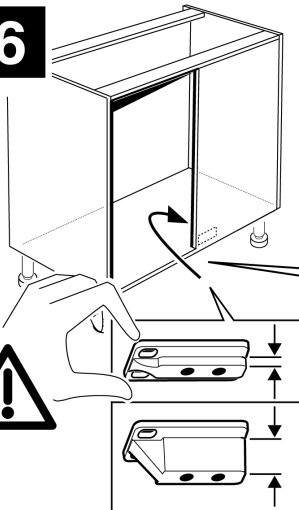


**FRAMELESS
OR INSET**

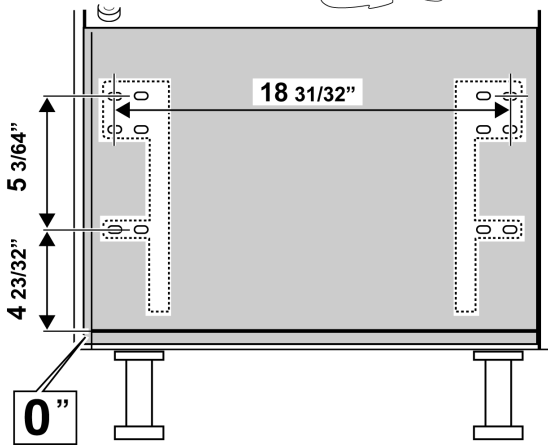
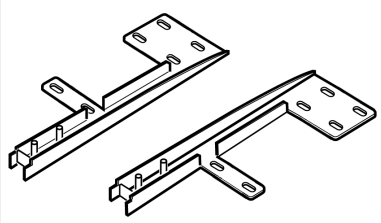
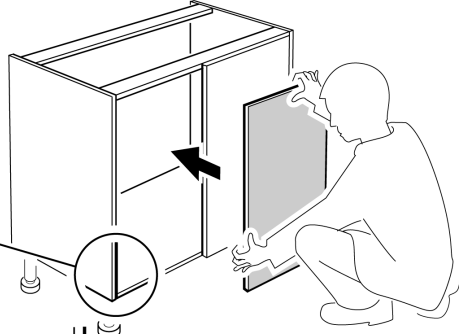
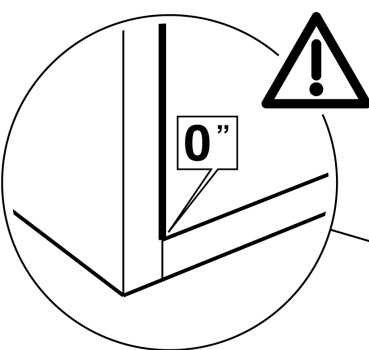
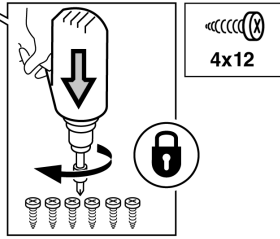
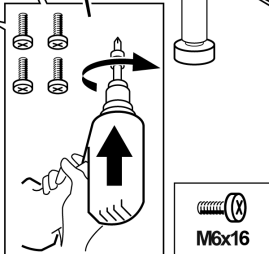
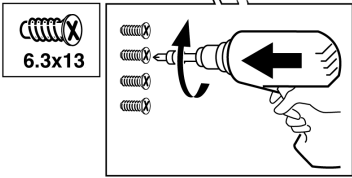
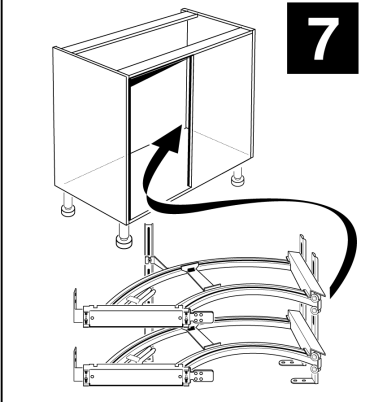
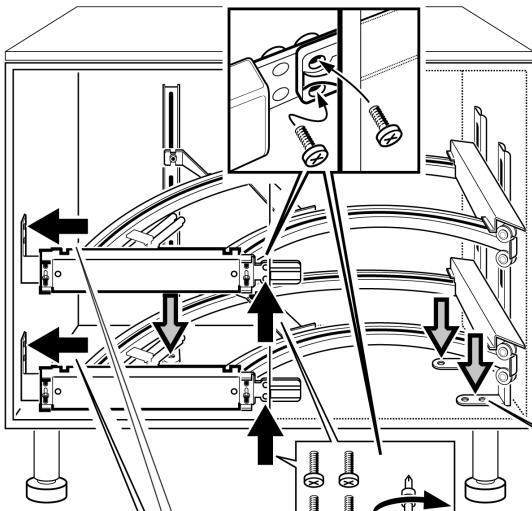
**FACE
FRAME**



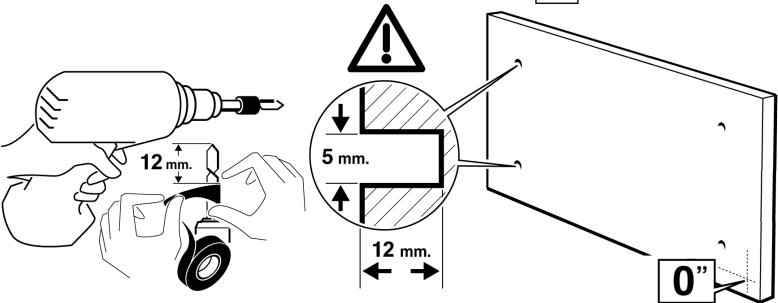
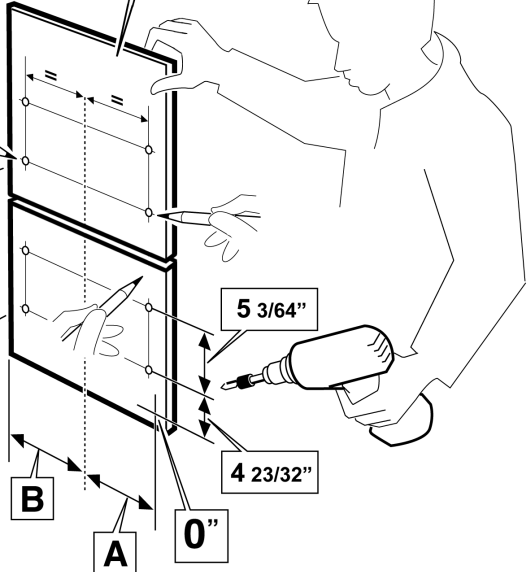
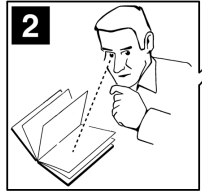
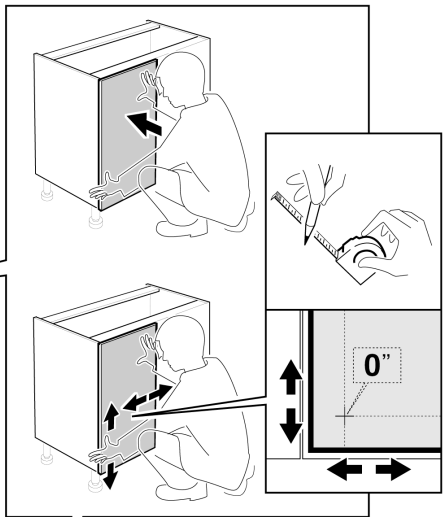
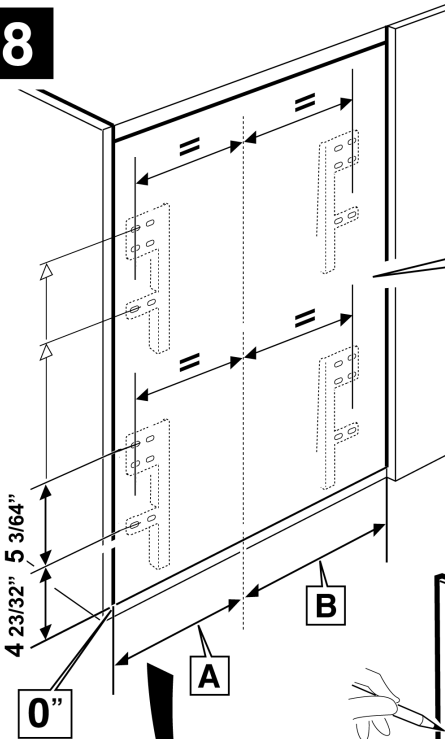
6



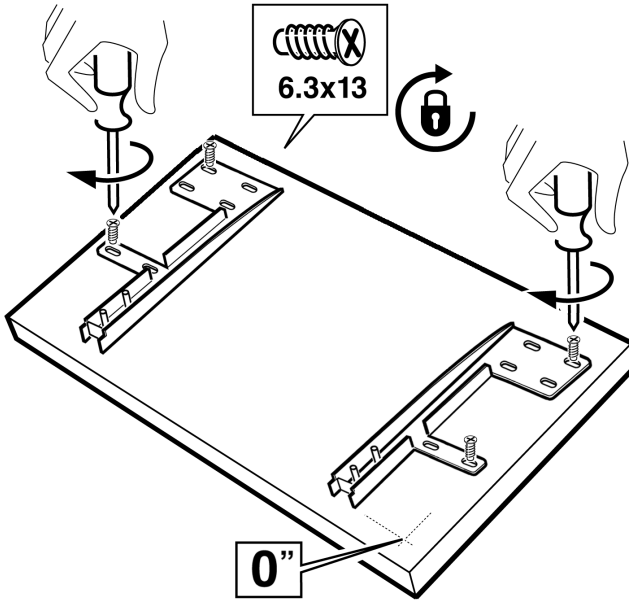
7



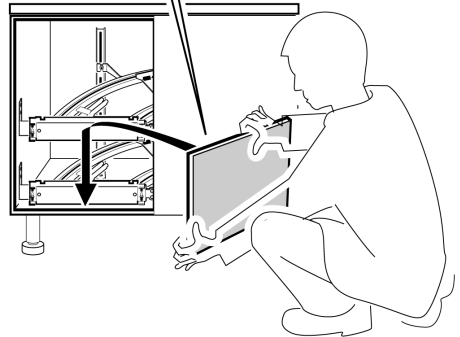
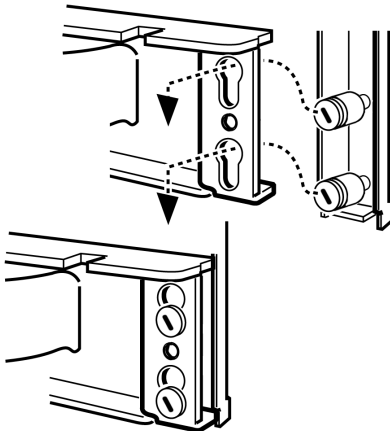
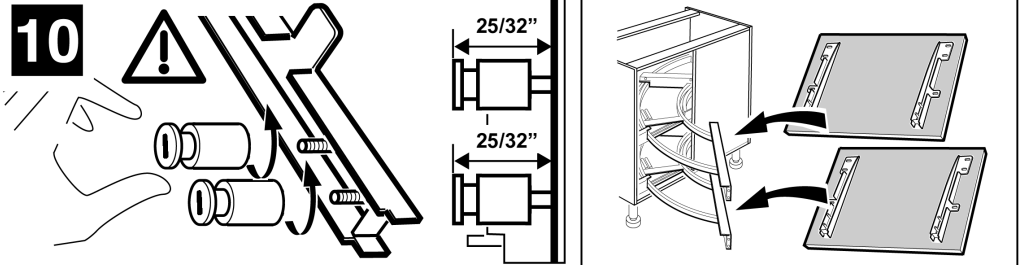
8



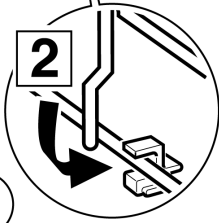
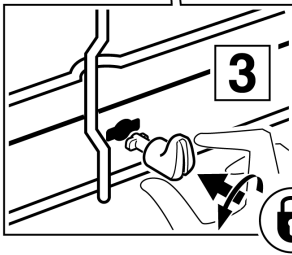
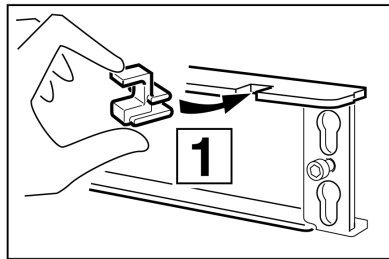
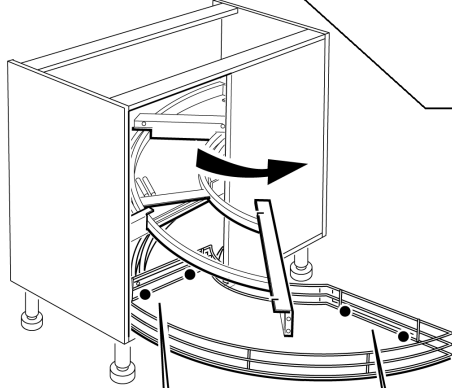
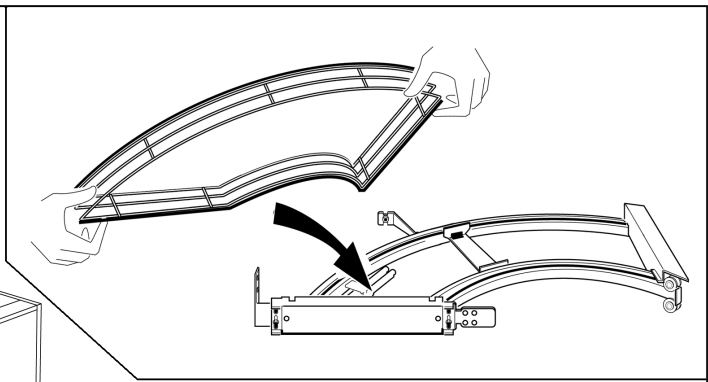
9



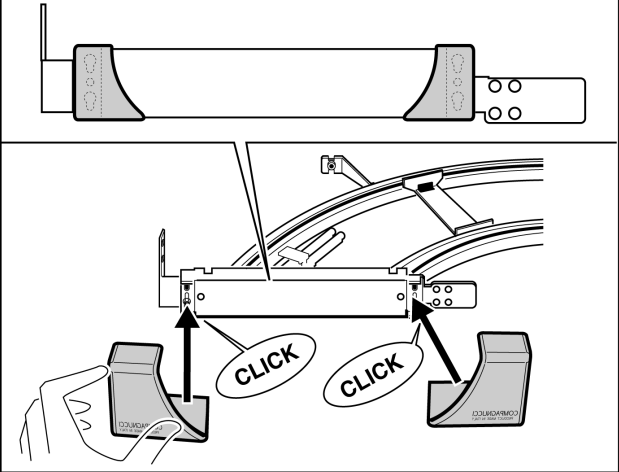
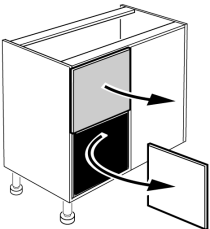
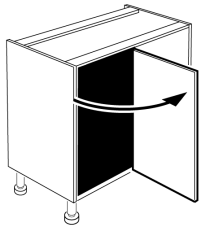
10



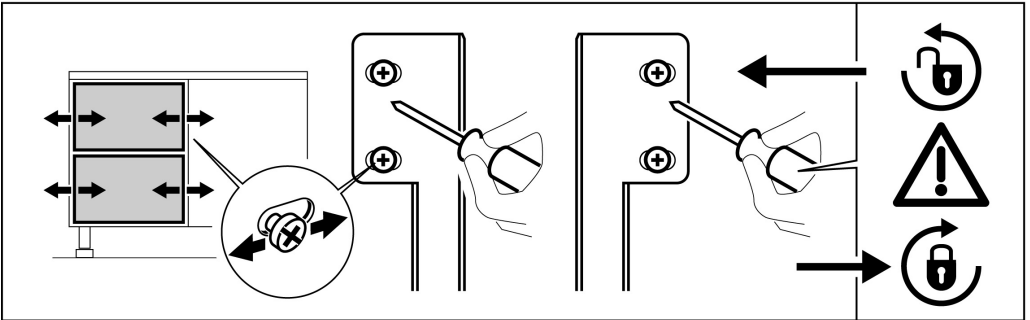
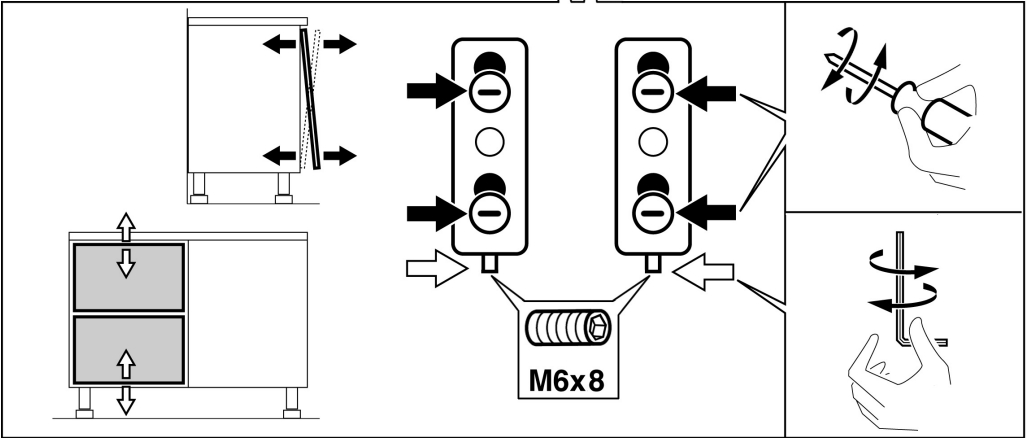
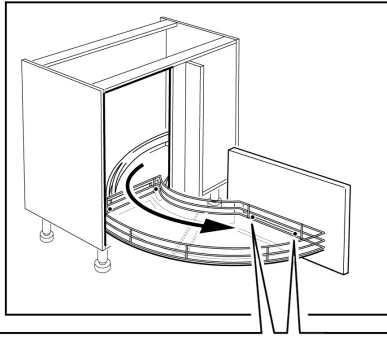
11



12



13



14

