

## GS4200 Series

### Full Extension Drawer Slide

The GS4200 is a 100 lb. class full-extension drawer slide that meets/exceeds performance standards as established by KCMA, BIFMA and BHMA. With a 1/2" side profile, the GS4200 easily adapts to standard drawer construction side clearances, resulting in minimal to no set-up changes.



Full-Extension

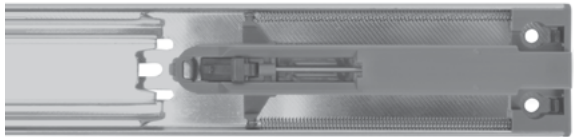
Release Lever



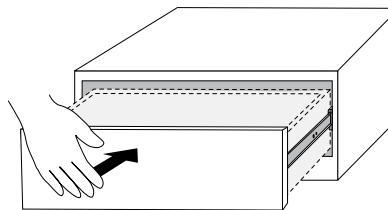
## GS4270 Series

### Full Extension Soft-Close Drawer Slide

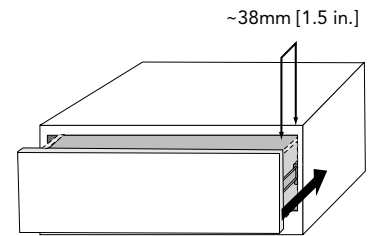
The GS4270 provides the latest in soft-close technology, delivering an ultra-smooth slide operation with a gentle, effective closure action. The 1 1/2" long pneumatic cylinder provides a quality soft-close dampening effect. With a side profile of 1/2", the GS4270 easily adapts to standard drawer construction side clearances, resulting in minimal to no set up changes.



Soft-Close



Engaging the mechanism is as simple as closing the drawer.



As the drawer closes, the soft-close mechanism engages and guides the drawer to a soft, secure, and non-rebounding finish.

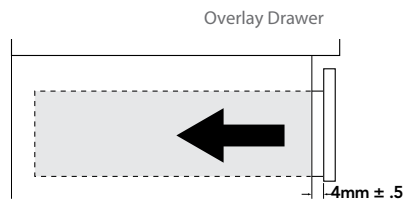
## GS4260 Series

### Full Extension Push-To-Open Drawer Slide

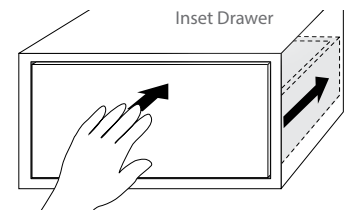
The GS4260 has a unique push-to-open feature that, when activated, automatically rebounds the drawer open. The push-open feature supports drawer applications where no knobs, pulls, or handles are required or desired for aesthetic purposes, or where hands-free drawer access may be desired. Applications include: inset drawers, waste/recycle drawers, storage furniture such as mobile pedestal files and medical carts. The GS4260 may also be used with full overlay drawer fronts, providing there is at least a 5/32" (4mm) ± 1/64" (.5mm) gap between the cabinet and drawer fronts to allow sufficient space to activate the push-open module.



Push-To-Open



Allow a minimum of 4mm ±.5mm clearance between drawer front and cabinet to provide enough space to activate push-to-open mechanism.



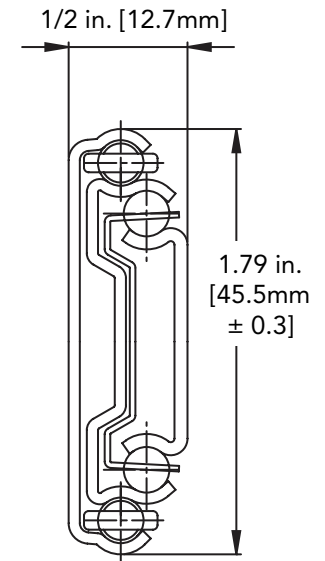
Push in 2 mm and release to activate push-to-open mechanism.

## SPECIFICATIONS

<b>Mounting</b>	Side
<b>Extension</b>	Full Extension
<b>Clearance</b>	1/2", plus 1/32" minus 0" each side
<b>Load rating</b>	100 pound class
<b>Height</b>	1 25/32"
<b>Action</b>	Telescopic movement on ball bearings
<b>Finish</b>	Zinc

- Additional Features**
- 32mm and traditional hole patterns.
  - Industry standard 1/2" side clearance and a lever disconnect for easy removal.
  - Features a non-handed design.
  - Flexible mounting tabs self-adjust to side clearance.

## Profile / Side Clearance



Part No.	Length
<b>GS4200 Full-Extension</b>	
121900	10"
121901	12"
121902	14"
121903	16"
121904	18"
121905	20"
121906	22"
121907	24"
121908	26"
121909	28"
<b>GS4270 Soft-Close</b>	
121912	12"
121914	14"
121916	16"
121918	18"
121920	20"
121922	22"
121924	24"
121926	26"
121928	28"

Part No.	Length
<b>GS4260 Push-To-Open</b>	
121929	10"
121930	12"
121932	14"
121934	16"
121936	18"
121938	20"
121940	22"
121942	24"
121944	26"
121946	28"