

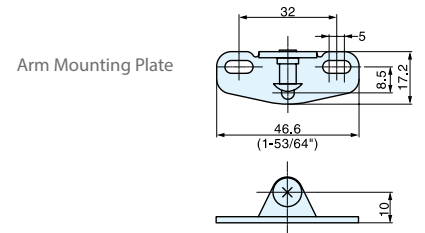
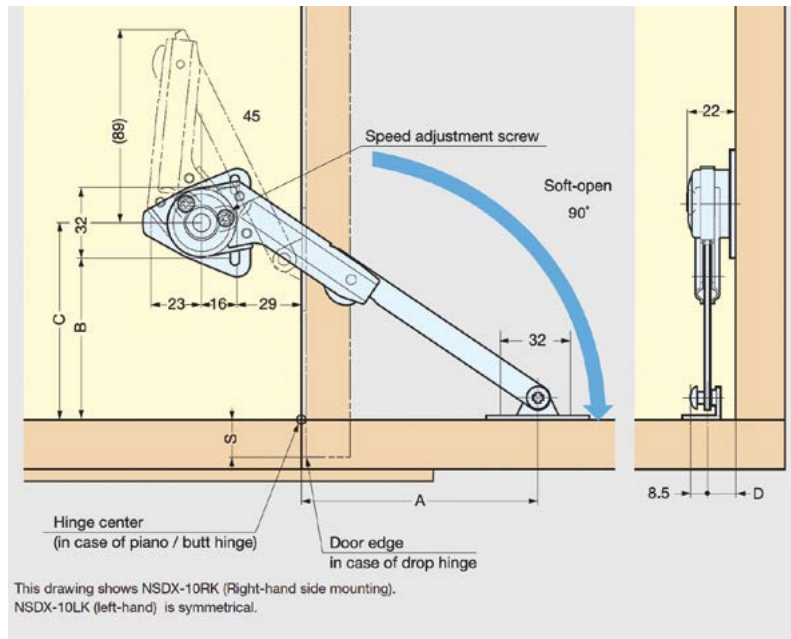
NSDX-10

Adjustable Soft-Down Stay

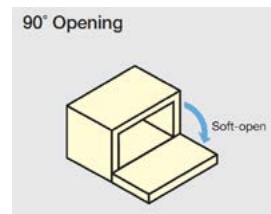
- For downward-opening flap door with piano, butt or drop hinges
- Opening angle 90°
- Designed to hold door in closed position
- Speed adjustment screw located on front for easy adjustment
- Opening angle is adjustable by changing mounting position
- Handed
- Designed to operate at room temperature, 0°- 40°C (32° - 104°F)
- Material: zinc alloy, steel



Opening Angle	Hinge Type	A	B	C	D
90°	Drop Hinge	81+S	91	107	11
	Piano/Butt Hinge	90	99	115	



NSDX-SZ (Included)
Mounting plate for wooden door,
screw-on type.



Face Frame Bracket: FFCB-SD-1
(sold separately)

Part No.	Vendor Reference No.	Description	Weight (g)	Finish
260112	NSDX-10RK	Right	181	Nickel
260110	NSDX-10LK	Left		

Torque Calculation:

Torque = Door Height x 1/2 x Door Weight

Per Piece: 20-70 kg·cm (19-60 lbs·inch)
 Per Pair: 40-140 kg·cm (38-120 lbs·inch)



Fill in the calculation to find the torque:

Door Height _____ X $\frac{1}{2}$ X Door Weight _____ = Torque _____